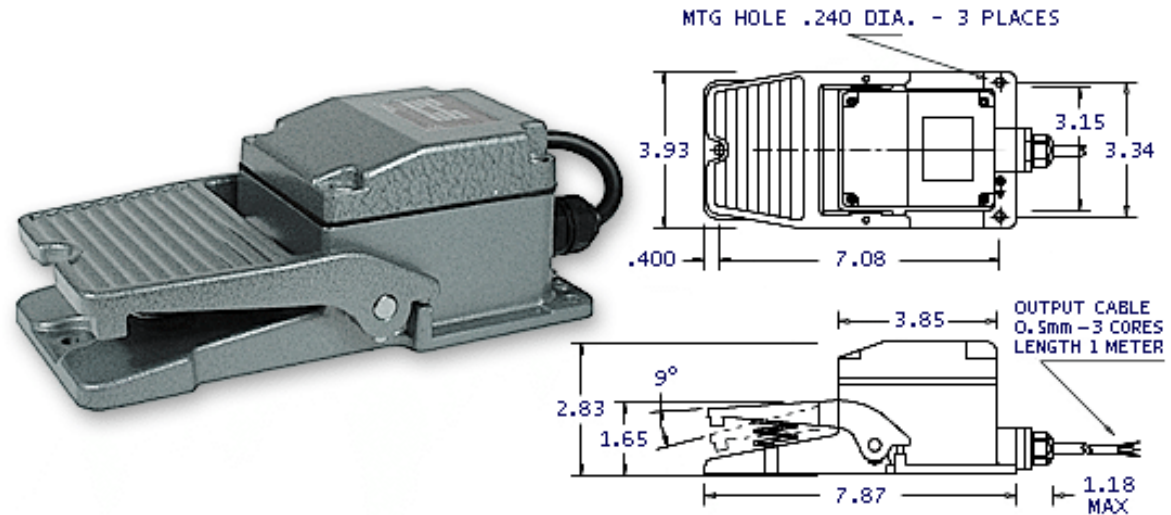




## FC200E Floor Mounted Foot Controller



### FC200E Standard Features:

- 9° operating angle
- Spring return
- IP54 protection rating
- Operating temperature -20 to +65°C
- 2.2 lbs.
- Metal construction
- 10K ohm potentiometer

